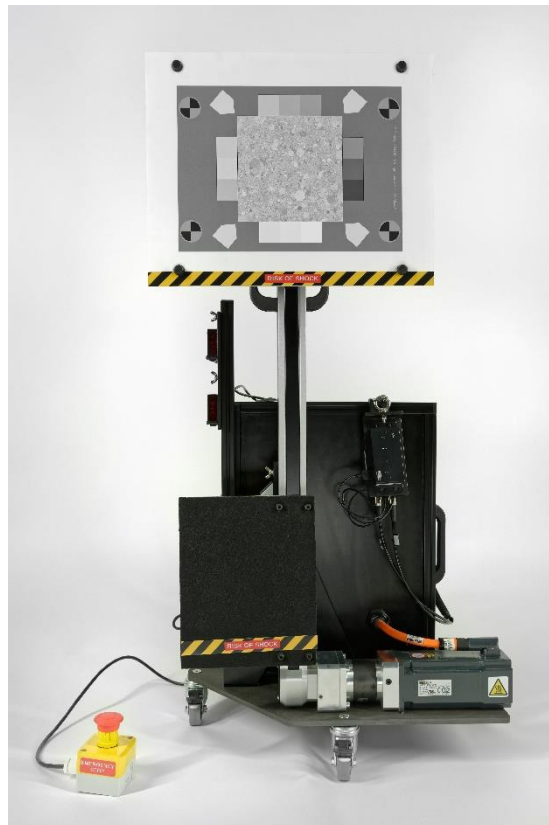


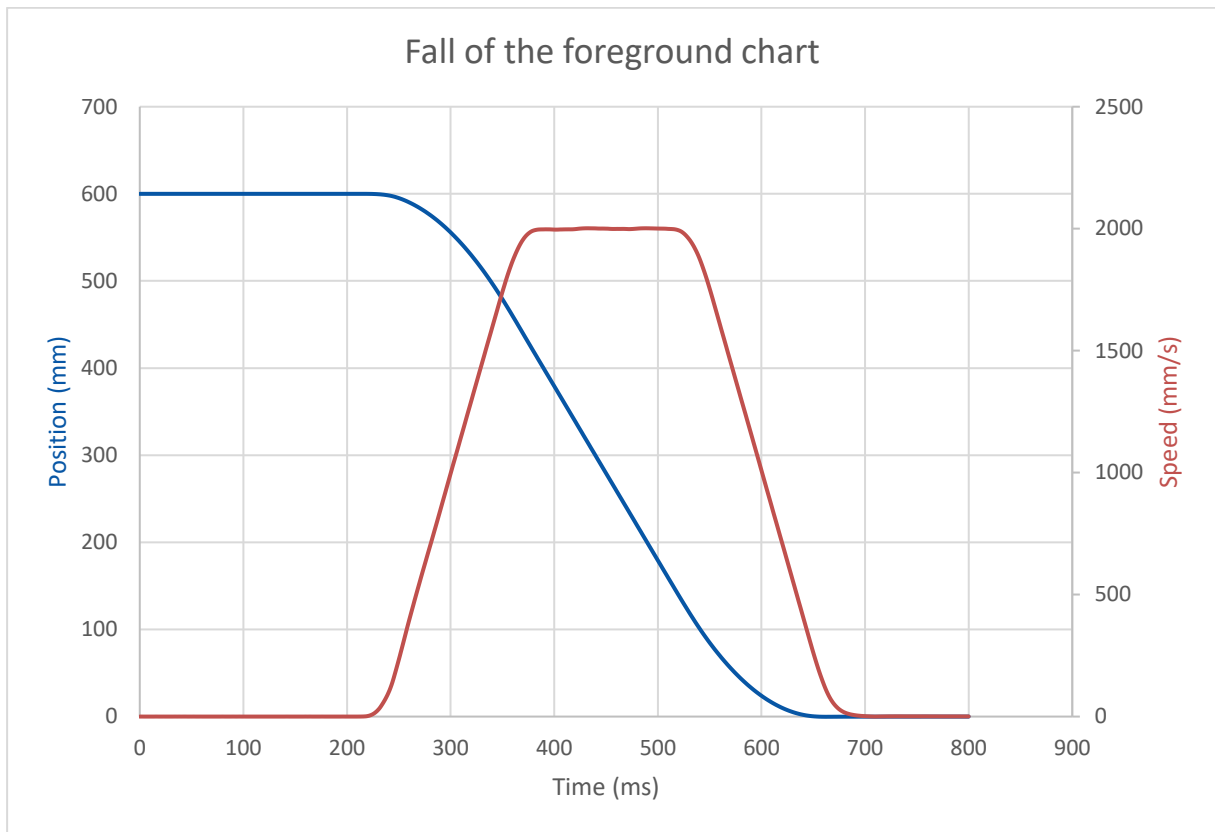
AMO technical specs

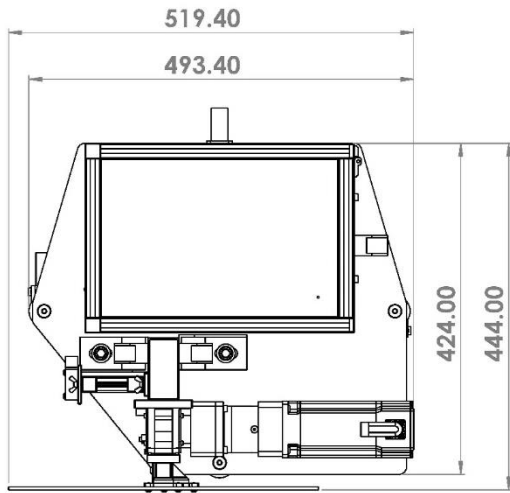
AMO_003R

1 Foreground AMO technical specs

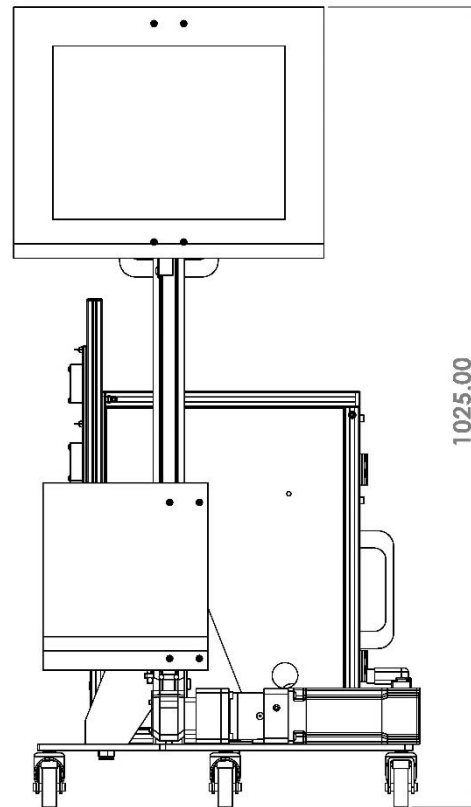


Model	Foreground AMO
Generation	ImageLabs_AMO_1.0
Drawing model 1	Click to see drawing (page 3)
Ground/upper side of the chart height in low position	1025 mm
Ground/upper side of the chart height in high position	1625 mm
Repeatability of vertical axis	< ± 0.1 mm
Weight	39.4 kg
Max travel	600 mm
Max speed	2 m/s
Mains input	230Vac 50Hz/60Hz





Top view

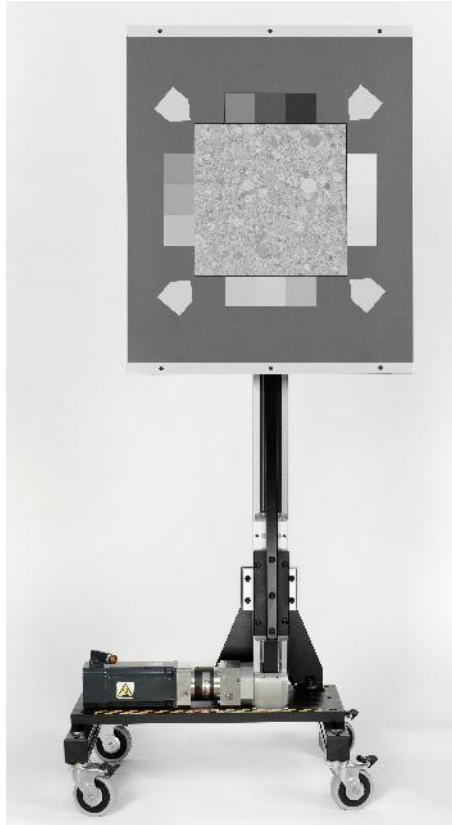


Front view in low position

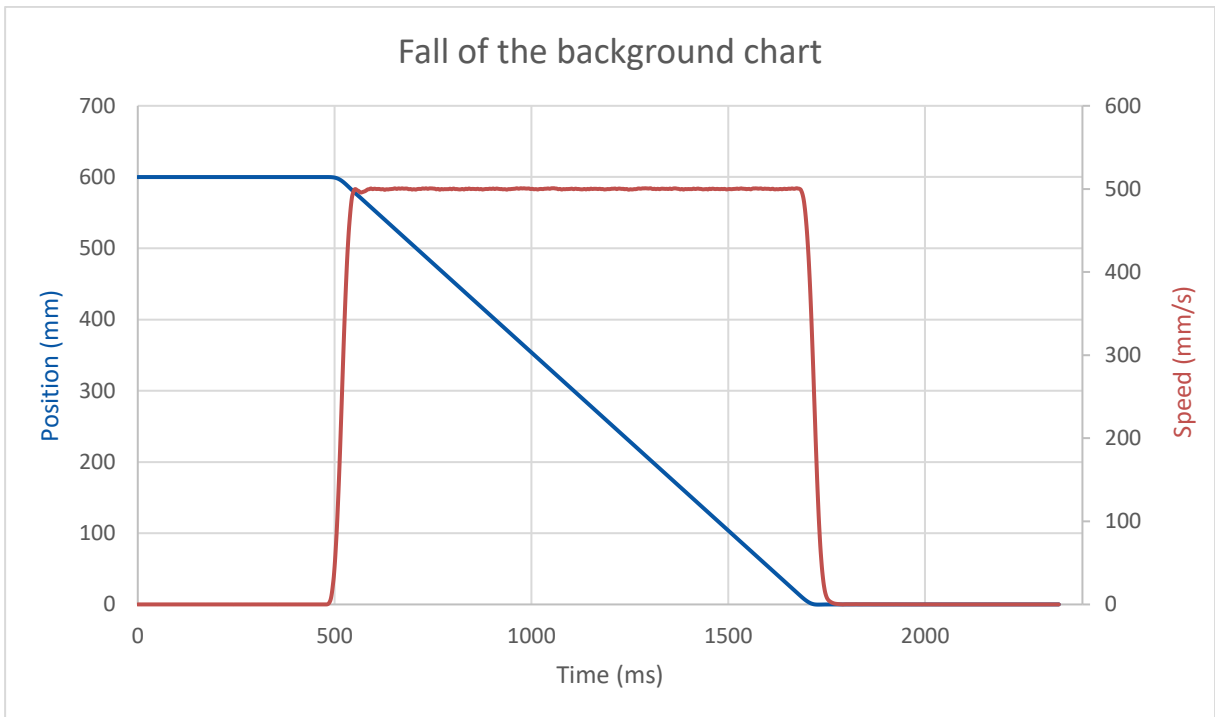
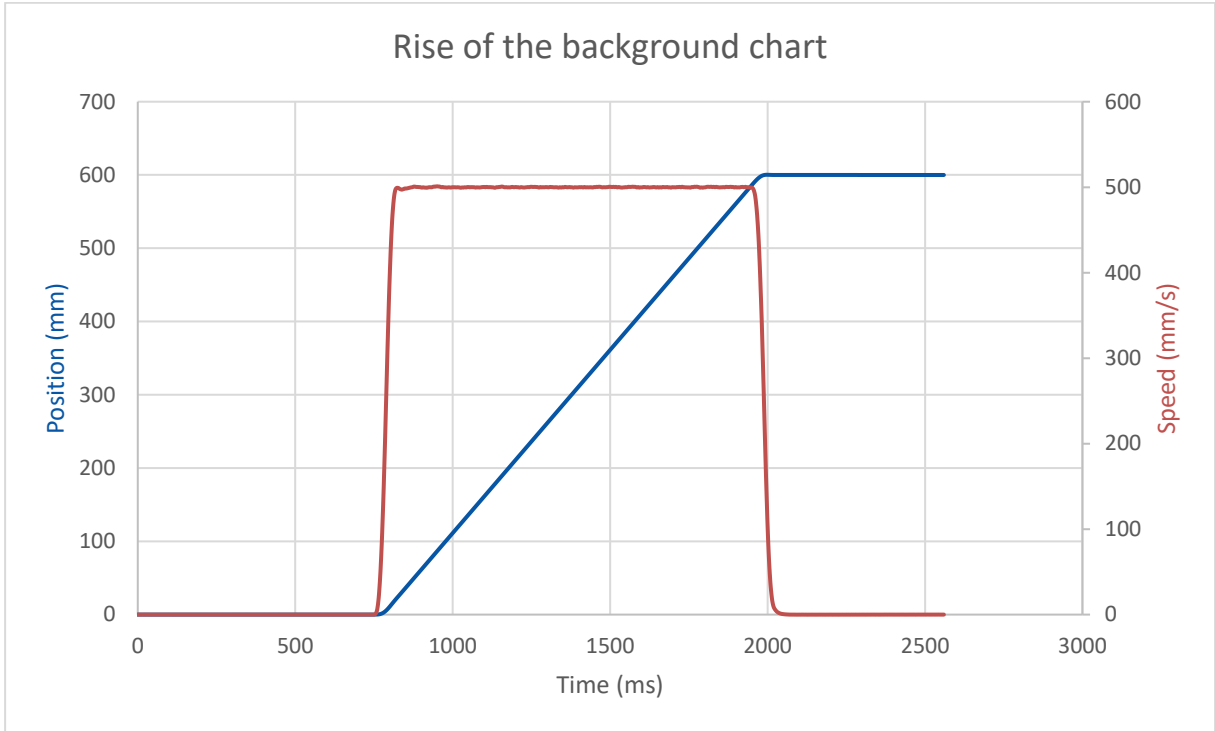
Dimensions are in millimeters

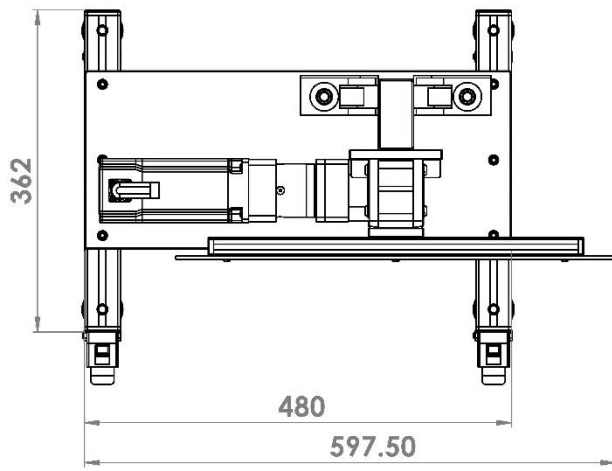
Foreground AMO drawing

2 Background AMO technical specs

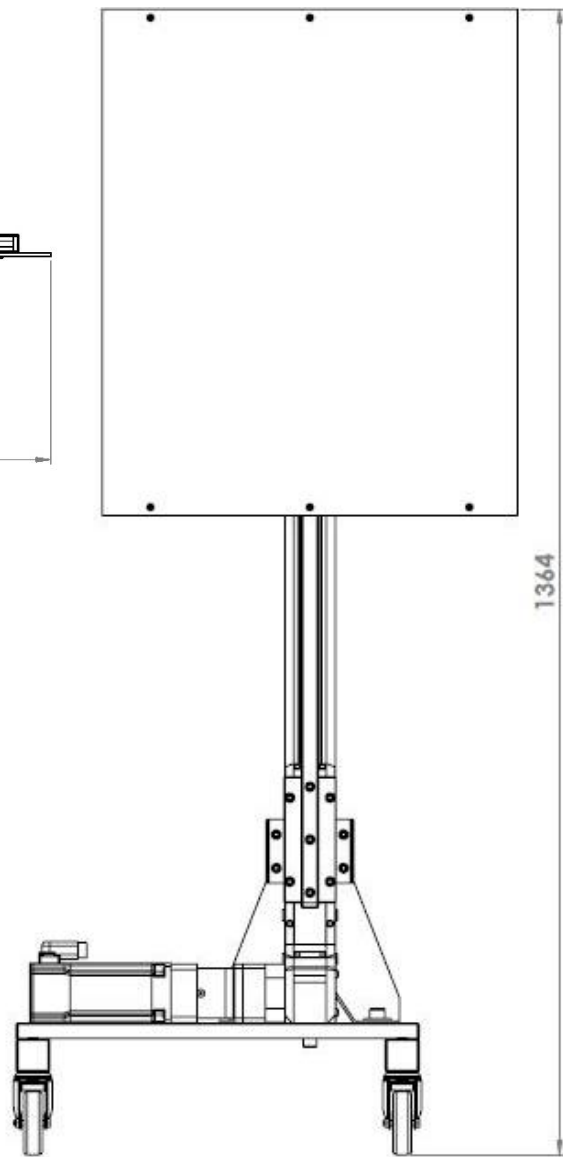


Model	Background AMO
Generation	ImageLabs_AMO_1.0
Drawing	Click to see drawing (page 6)
Ground/upper side of the chart height in low position	1364 mm
Ground/upper side of the chart height in high position	1964 mm
Repeatability of vertical axis	< ± 0.1 mm
Weight	34 kg
Max travel	600 mm
Max speed	0.5 m/s
Mains input	230Vac 50Hz/60Hz





Top view



Front view in low position

Dimensions are in millimeters

Background AMO drawing